



Titan™ Sub-A15

PROFESSIONAL ACTIVE SUBWOOFER SYSTEM



OWNER'S MANUAL

Titan™ Sub-A15

OWNER'S MANUAL

TABLE OF CONTENTS

Page

1.....	Unpacking - Warnings and Safety
2.....	Introduction
3.....	Warranty
4.....	Features
5.....	Description / Enclosure Features
6.....	Enclosure Call-Outs
7.....	Rear Panel Call-Outs
8.....	Operating Instructions Connection Suggestions
9.....	Connection diagram #1
10.....	Connection diagram #2
11.....	Connection Diagram #3
12.....	Specifications
13.....	Dimensions
Back Cover.....	Contact Information

Titan™ Sub-A15

UNPACKING

All Wharfedale Pro products are fully checked before leaving the factory. After unpacking, inspect the contents for any physical damage. Retain the shipping carton and internal packing material. Check as soon as possible that the unit is functioning properly. In the event of any shipping damage, please contact your dealer and the shipper immediately to make a claim.

WARNING AND SAFETY INSTRUCTIONS

1. **READ INSTRUCTIONS** carefully before operating this product.
2. **RETAIN** these instructions for future reference.
3. **COMPLY WITH WARNINGS** – All warnings and instructions for this product should be adhered to.
4. **SETUP PROCEDURES** – In order to avoid speaker damage, it is advisable to establish and follow a pattern for powering on and off a sound system. Make sure that all input and output level controls are at their minimum settings on all components of the system. With all system parts connected, power on source equipment (playback units, instruments, mixers, signal processors, etc.), **BEFORE** powering on any amplifiers or powered speakers. Power on the system's amplifier(s) or powered speakers **LAST**. Wait until all system components have stabilized, then bring up volume controls to operating level. Similarly, when shutting a system down, always turn down all level controls and then turn off the amplifier(s) or powered speakers **BEFORE** shutting down other system components.
5. **CABLES** – Be sure to use proper cables for all connections.
6. **RIGGING – SUSPENDING – MOUNTING IS NOT RECOMMENDED FOR THIS PRODUCT!** The rigging, suspension or mounting of any speaker system can expose members of the public to serious health risks and even death. **UNDER NO CIRCUMSTANCES ATTEMPT TO RIG, SUSPEND OR OTHERWISE MOUNT SPEAKERS UNLESS YOU ARE FULLY QUALIFIED AND CERTIFIED TO DO SO BY RELEVANT LOCAL, STATE AND NATIONAL AUTHORITIES. ALL RELEVANT SAFETY REGULATIONS MUST BE FOLLOWED. IF YOU ARE NOT PROPERLY QUALIFIED OR DO NOT KNOW OF PERTINENT REGULATIONS, CONSULT QUALIFIED PERSONNEL FOR ADVICE AND ASSISTANCE.**
7. **CAUTION** – These professional loudspeaker systems are capable of generating very high sound pressure levels. Use care with placement and operation to avoid exposure to excessive sound levels that could cause permanent hearing damage.
8. **SERVICING** – The user should not attempt to service this product. Please contact your local Wharfedale Pro Service Center.

Titan™ Sub-A15

INTRODUCTION:

TITAN™ Sub-A15 Active Bandpass Subwoofer

Congratulations! You've made the smart move of choosing the new Wharfedale Pro Titan™ Sub-A15, a powerful active subwoofer system designed to produce high quality audio in any performance application.

A preeminent force in audio, with a long and distinguished history of innovation, Wharfedale Loudspeakers was founded in 1932 by Gilbert Briggs, who built his first loudspeakers in a small village in the county of Yorkshire, England. This quiet market town was located in the valley of the river "Wharfe" – an area known to this day as "Wharfedale".

A visionary in the field of loudspeaker technology, Briggs developed the first two-way loudspeaker – essentially the prototype of the modern loudspeaker. Today, as part of International Audio Group, Wharfedale continues to grow as an international standard for professional loudspeakers.

In keeping with Gilbert Brigg's original vision, all of our transducer components are engineered, tooled, and manufactured in our 1,500,000 square foot factory facility. In fact, Wharfedale is one of only a handful of manufacturers who still build all of their own transducers.

All of which helps to explain how the new Titan Sub-A15 combines the newest technologies, materials and design topology to ensure absolute accuracy and high output.

Because of its functional cabinet design, the Titan Sub-A15 is versatile and applicable in a variety of configurations. At home indoors or outdoors, on stage, in clubs, at rehearsals, in theaters and houses of worship, the Titan Sub-A15 will provide the high standards of low frequency audio reproduction that you require.

Titan™ Sub-A15

WHARFEDALE PRO LIMITED WARRANTY

Wharfedale Pro Titan Sub-A15 subwoofers are warranted to be clear of manufacturing or material defects for a period of one year from the original date of purchase. In the event of malfunction, contact your authorized Wharfedale Pro dealer or distributor for information.

*Be aware that warranty details may differ from country to country. Contact your dealer or distributor for information. These terms do not infringe your statutory rights.



Wharfedale Pro website: www.wharfedalepro.com

Wharfedale Pro is a member of the International Audio Group (IAG)

IAG reserves the right to alter or improve specifications without notice.

All rights reserved ©2007

Titan™ Sub-A15

TITAN Sub-A15 Band-Pass Active Subwoofer Features

- Peak limiter that protects the amplifier and speaker from clipping.
- 0°, 180° PHASE switch
- Built-in 600 watt (peak), 400 watt (continuous) amplifier
- Thermal, DC fault and short circuit protection
- Power on and system AGC protect LED indicators
- Integral preset limiter prevents clipping and distortion.
- Summed, stereo line level inputs combine the left and right signals to a single, mono signal which is routed to the Titan Sub-A15's internal amplifier. This feature allows for the operation of a single subwoofer in stereo sound system. Integrity of the original stereo input remains intact at the line level outputs.
- A pair of an integral crossovers send a high-pass, balanced, line-level, stereo signal to a pair of powered satellite full-range speakers or an external amplifier for passive satellite speakers.
- A speaker-level, 1/4" TS phone jack input is provided. This input is useful in applications, where it may be more practical to use a full-range, amplified speaker-level signal and connect it to the Titan Sub-A15 subwoofer.

Titan™ Sub-A15

Titan Sub-A15 DESCRIPTION

The TITAN Sub-A15 is a powerful 15 inch band pass active subwoofer. A built-in 400 watt (continuous) 600 watt (peak) amplifier conveniently accepts stereo or mono line level inputs via dual, balanced, XLR-¼" "combo" connectors as well as a unique single channel 4Ω speaker level input via a ¼" phone jack which allows for use with a standard sound reinforcement amplifier (when the internal amplifier is not used).

A custom designed, down-firing, aluminium cast frame 15" woofer, with a 3" voice coil, is utilized as the heart of the Titan Sub-A15's complementary low frequency enhancement system. Integral signal processing includes a dynamic AGC (Automatic Gain Control) circuit, a stereo crossover and signal limiting for the prevention of a distorted signal to the internal amplifier. A convenient and an essential PHASE switch is included to allow for proper subwoofer signal polarity to be selected.

A pair of balanced XLR male output connections, with switchable "High-Pass" mode are available for the stereo line level outputs and may be used to pass through mono or stereo signals from the inputs to another system or to send a high-pass, line-level stereo signal to a pair of powered, full-range speakers such as the popular Wharfedale Pro Titan ACTIVE models.

ENCLOSURE FEATURES

- Custom 15" Low Frequency driver provides exceptional low-end clarity, high power handling capability and maximum efficiency

- Rugged, textured grey, painted 18mm, 13 ply birch plywood enclosure with two rubberized over-molded handles on the sides and four screw mounted rubber feet on the bottom of the enclosure.

- Integral pole mount adapter for the mounting of speaker enclosures above the subwoofer.

Titan™ Sub-A15

Titan Sub-A15 – ENCLOSURE CALL-OUTS

1. Pole mount socket

The top of the Titan Sub-A15 provides a convenient built in pole mount socket for easy mounting of a standard 35mm diameter speaker pole (such as the Wharfedale Pro SP-1) for easy top-side mounting of a mid/high passive or active speaker.

2. Integral Carry Handle

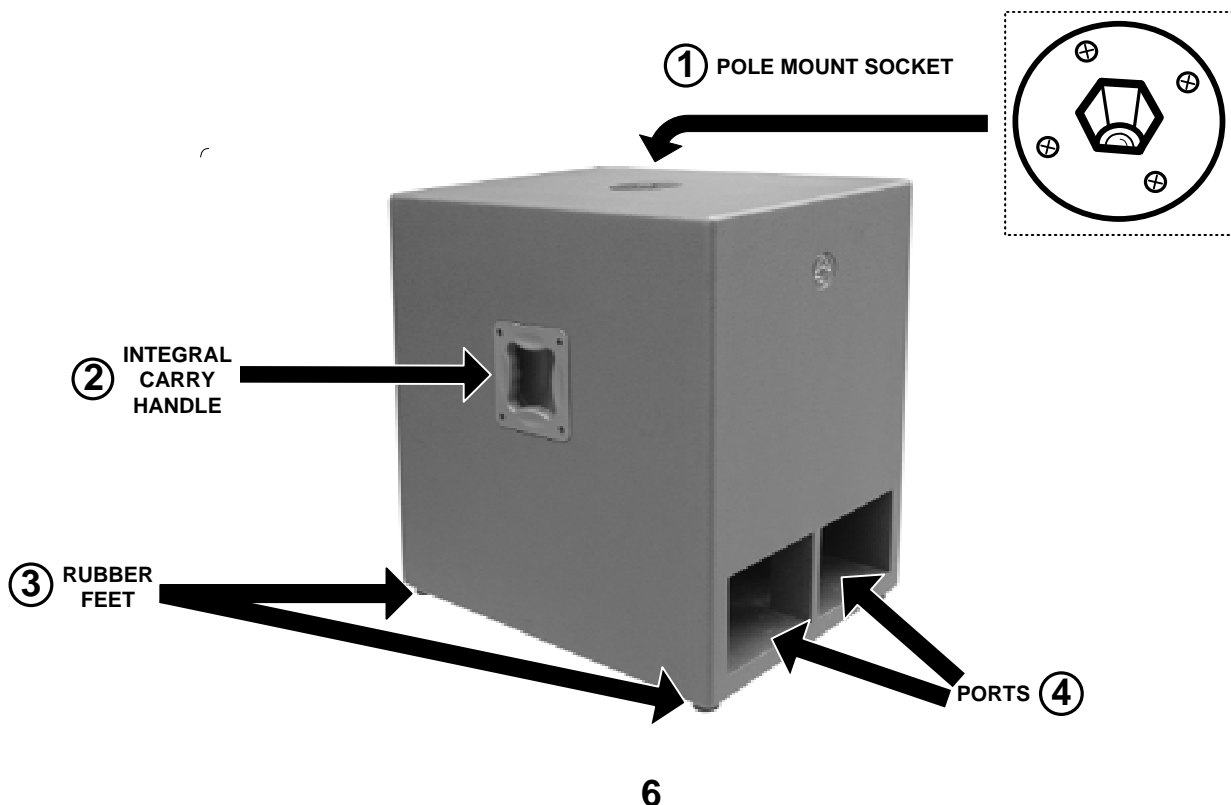
The Titan Sub-A15 has two rubber over-moulded carry handles (one on each side) for easy transportation of the enclosure.

3. Rubber Feet

There are four skid-resistant screw mounted rubber feet on the bottom of the Titan Sub-A15.

4. Ports

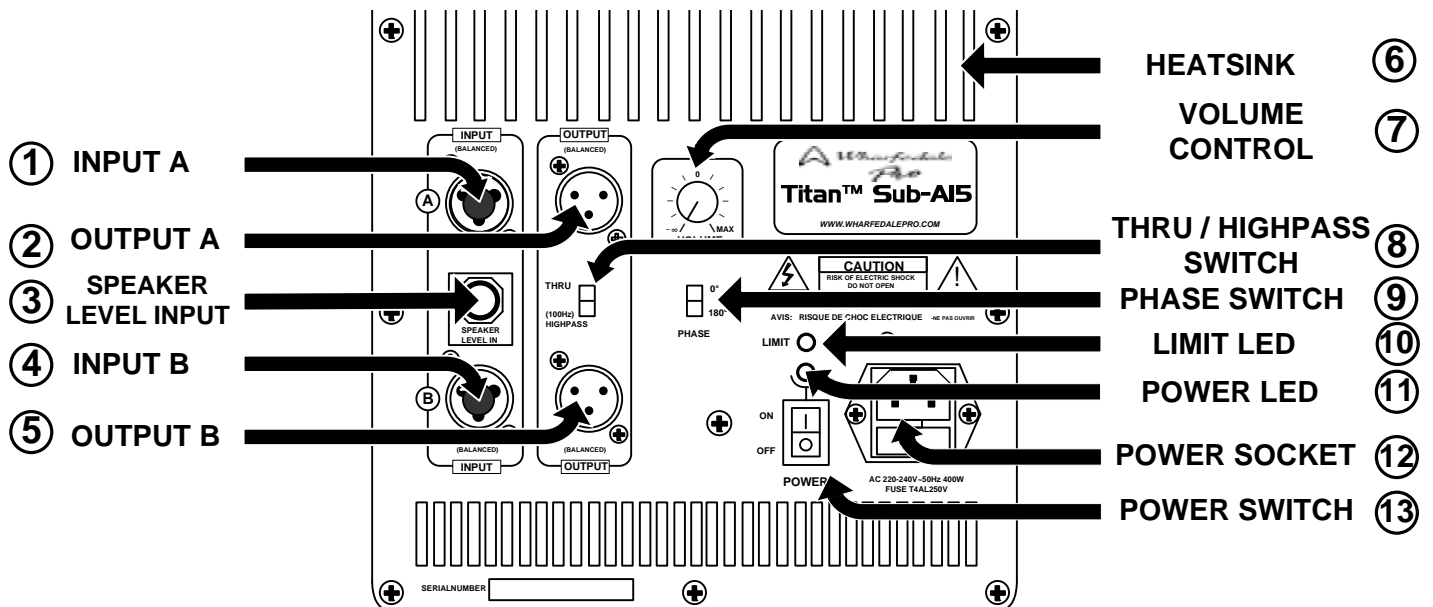
There are two ports on front of the Titan Sub-A15 that are reflex tuned to provide enhanced low frequency response from the enclosure.



Titan™ Sub-A15

Titan Sub-A15 – REAR PANEL CALL-OUTS

1. **INPUT A** - Balanced line level input via a XLR / ¼" *combo* connection.
2. **OUTPUT A** - Balanced male XLR connection provides output "THRU" or HIGHPASS signal (depending on switch setting).
3. **SPEAKER LEVEL INPUT** -
Allows for connection of the output of an external amplifier to use the Titan Sub-A15 as a passive subwoofer.
NOTE: *Disconnect the power cord when using the Titan Sub-A15 in this mode.*
4. **INPUT B** - Balanced line level input via a XLR / ¼" *combo* connection.
5. **OUTPUT B** - Balanced male XLR connection provides output "THRU" or HIGHPASS signal (depending on switch setting).
6. **HEATSINK** - Cooling fins for amplifier. Do not obstruct.
7. **VOLUME CONTROL** - Adjusts volume level of the subwoofer.



8. **THRU / HIGHPASS SWITCH** - Selects the signal type that is routed to the OUTPUT jacks. "THRU" sends the unprocessed signal to the outputs. "HIGHPASS" filters the signal and only sends signals above 100Hz to the outputs.
9. **PHASE SWITCH** - Selects the polarity of the signal being sent to the subwoofer. 0° selects the signal polarity as it appears at the input. The "180°" selection inverts the phase of the signal.
10. **LIMIT LED** – LED indicator illuminates when the signal limiting function is activated.
11. **POWER LED** - LED indicator illuminates when the unit is powered up.
12. **POWER SOCKET** - This is the connection for the IEC AC power connector.
13. **POWER SWITCH** – Turns the power on and off to the subwoofer amplifier module.

Titan™ Sub-A15

Titan Sub-A15 OPERATING INSTRUCTIONS

The Titan Sub-A15 is easy to use! The steps below should be followed to help you get the best performance out of your subwoofer and speaker system.

-Place the Titan Sub-A15 upright on its feet and place any pole mounts or additional speakers in place before making any wiring connections.

-Make all audio connections (as outlined below and on subsequent pages) before turning on the power of any system components (see Page 1 “SETUP PROCEDURES”). Once all of the connections are made, power up only the system mixer, processors and any playback or auxiliary equipment BEFORE powering up the Titan Sub-A15 or any other powered speakers or amplifiers or speaker damage may occur!

-Once everything is powered up, using a suitable signal source (such as talking into a microphone, playing an instrument or signal from a playback unit), gradually turn up the volume controls for all amplifiers and powered speakers and adjust the appropriate mixer levels to a comfortable setting, being careful that signals are not distorting or creating feedback.

CONNECTION SUGGESTIONS

There are several creative ways to connect and use the Titan Sub-A15. The following pages show some suggestions for a few simple system configurations that can be used. Variations on these suggestions can be easily developed to meet your specific needs.

CONNECTION DIAGRAM # 1 on page 9 shows the typical connection of a Titan Sub-A15 in a stereo sound system. OUTPUT A and OUTPUT B can be connected to a two channel amplifier or a pair of powered speakers.

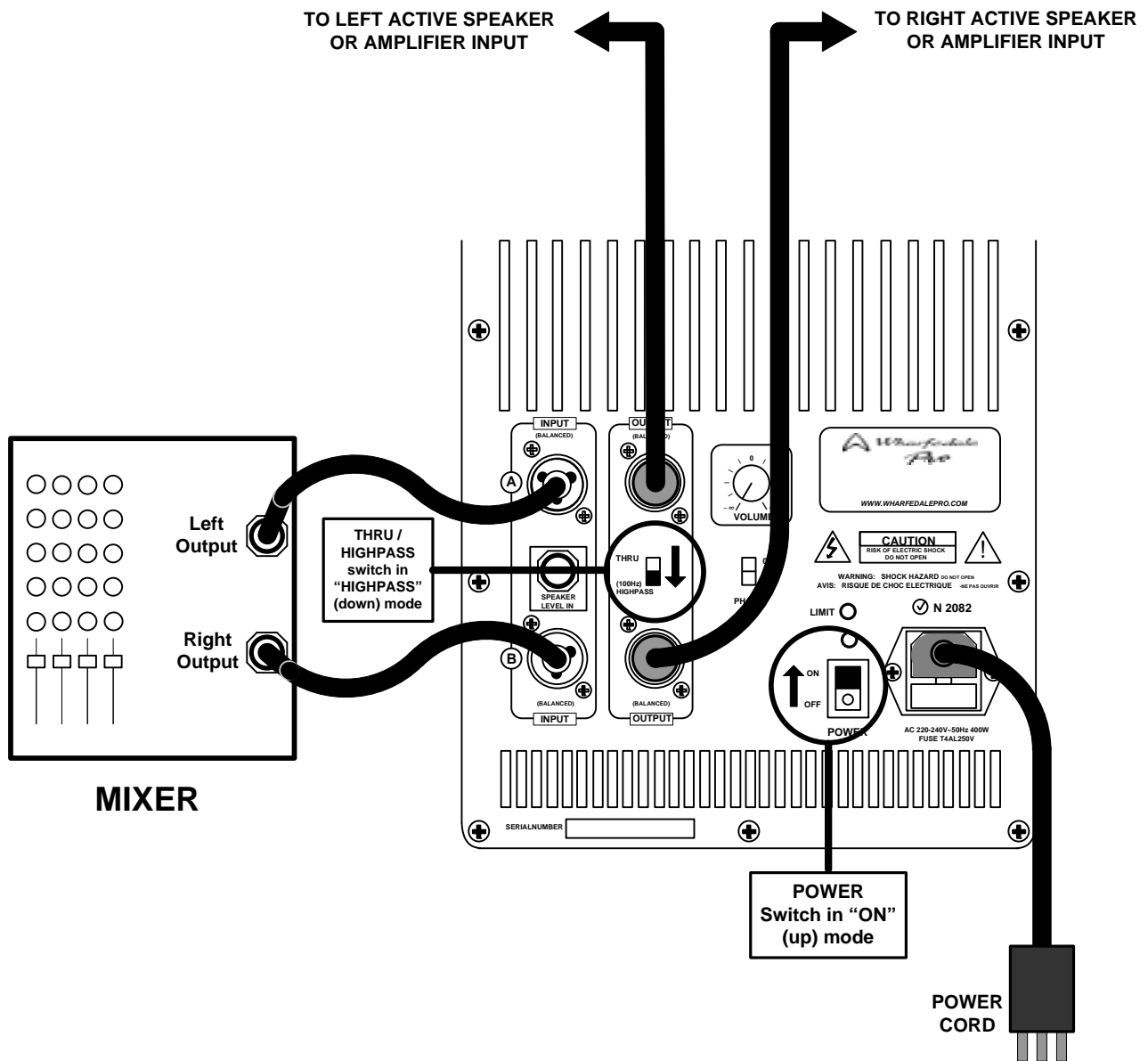
CONNECTION DIAGRAM # 2 on page 10 shows the connection of a Titan Sub-A15 as a passive subwoofer system using an external amplifier that receives the low frequency output of an electronic crossover.

CONNECTION DIAGRAM # 3 on page 11 shows the connection of two Titan Sub-A15's.

Titan™ Sub-A15

CONNECTION DIAGRAM # 1

STEREO SYSTEM WITH HIGHPASS OUTPUT

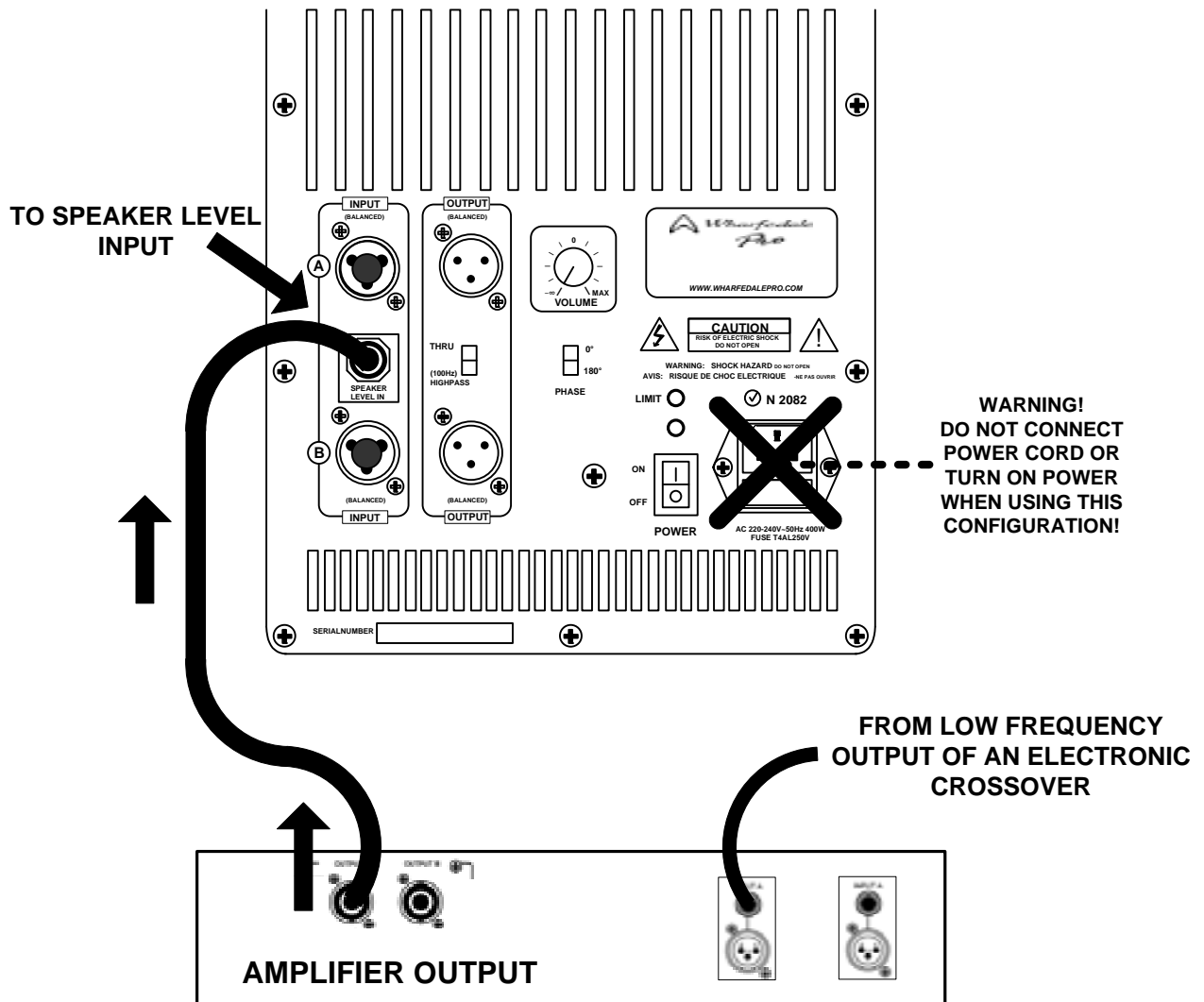


NOTE: This same connection configuration can be used with OUTPUT A and B used in a full-range mode when the THRU / HIGHPASS switch is in the "THRU" (up) position.

Titan™ Sub-A15

CONNECTION DIAGRAM # 2

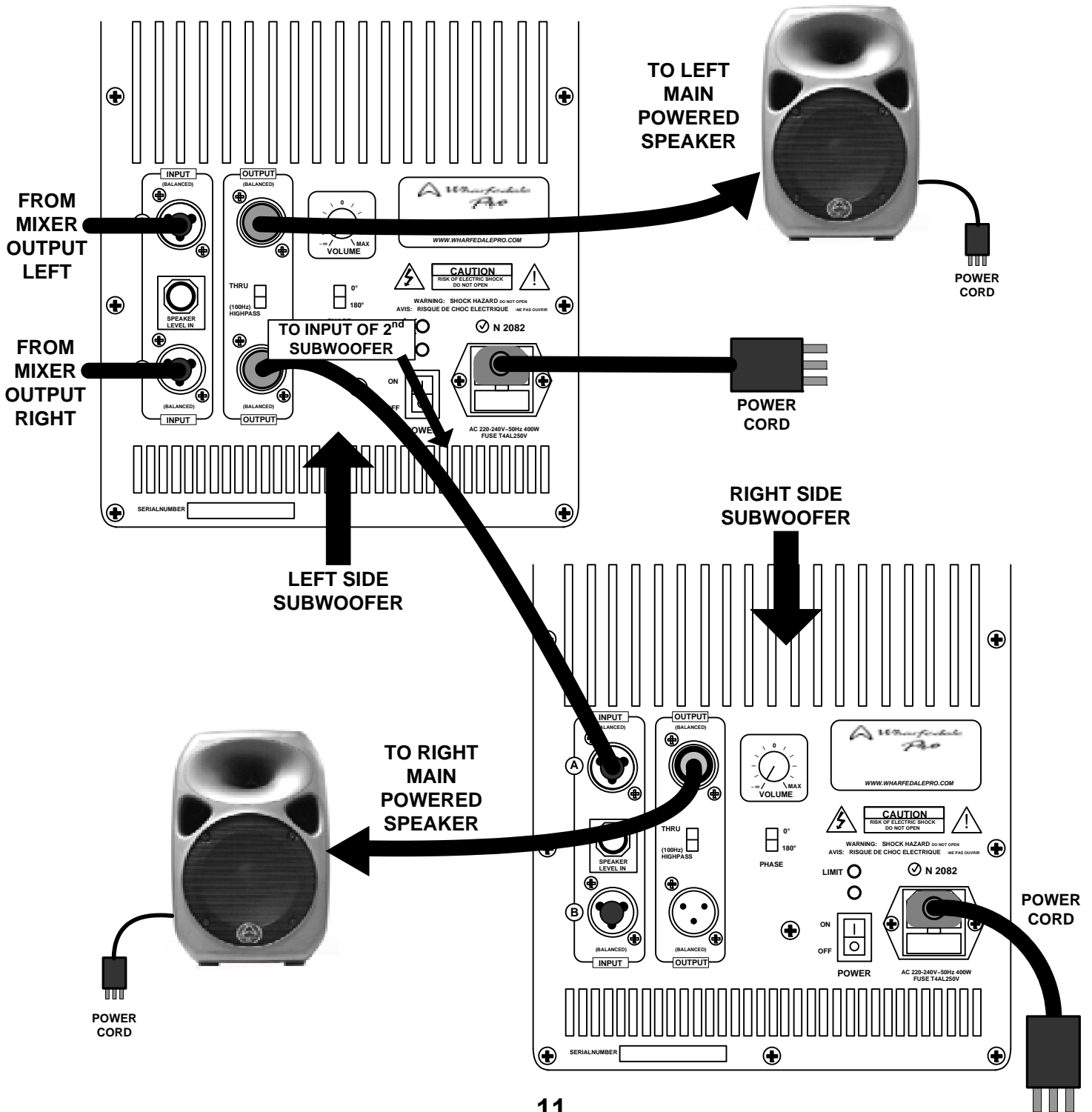
USING THE Titan Sub-A15 WITH AN EXTERNAL AMPLIFIER



Titan™ Sub-A15

CONNECTION DIAGRAM # 3

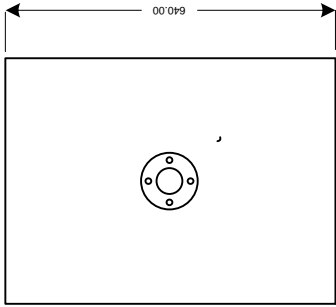
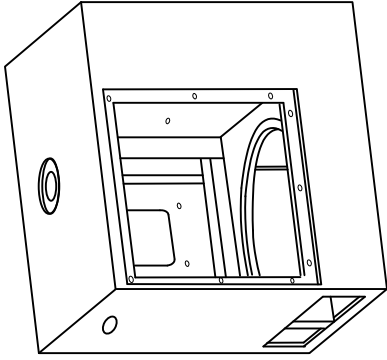
USING TWO Titan Sub-A15's WITH TWO POWERED SPEAKERS



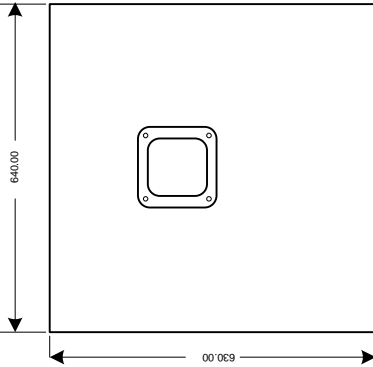
Titan™ Sub-A15

SPECIFICATIONS

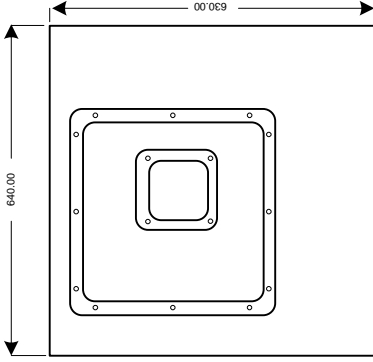
Model Name	TITAN Sub-A15
System Type	Band-pass subwoofer
Frequency Response +/-3dB	45-150Hz
Enclosure Material	18mm Plywood
Enclosure Colour	Grey
Frame material	Die-cast aluminium frame
Size (mm / inches)	404mm / 15"
Coil Size (mm / inches)	75 / 3"
Impedance	4 ohm
Speaker Pole Adapter	Yes
Inputs A & B - Type / Connection	Balanced Line Level inputs via two combo connectors
Output A & B Type / Connection	Balanced Line Level outputs via two XLR-M connections
Input Sensitivity	0.775V
High Pass Frequency Selection	100Hz
Phase Switch Selection	0° / 180°
Speaker Level Input Impedance	1/4" TS Phone input
Speaker Level Input Connection	4Ω
Amplifier Power:	
Continuous	400W
Peak	600W
Protection Type	Dynamic AGC
Power On Indicator	LED
Dimensions (mm / inches):	
Height	630.0mm / 24.8"
Width	478.0mm / 18.8"
Depth	640.0mm / 25.2"
Weight (Net) kg / lbs	45.48kg / 100.0lbs
Weight (Gross) kg / lbs	50.26kg / 110.5lbs



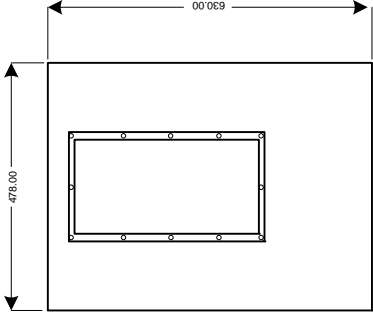
TOP VIEW



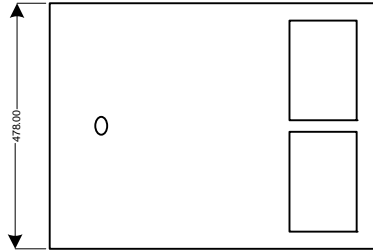
LEFT SIDE VIEW



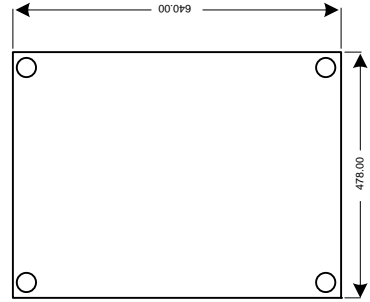
RIGHT SIDE VIEW



BACK VIEW



FRONT VIEW



BOTTOM VIEW



Titan™ Sub-A15



**Wharfedale International LTD.
IAG HOUSE
Sovereign Court, Ermine Business Park,
Huntingdon, Cambs,
PE29 6XU, England**

www.wharfedalepro.com

IAG Professional reserves the right to alter or improve specifications without notice.

All rights reserved © 2007 Wharfedale Pro
Wharfedale Pro is a member of the International Audio Group